

Bendi®

MODEL B3/30AC

3-WHEEL BENDI

**ELECTRIC MULTI-PURPOSE VNA
ARTICULATED FORKLIFT TRUCK**



The B3/30 is a 3-wheel Bendi, with a single poly front drive tire and solid rubber rear tires. Front articulation of 200°, narrow mast and compact front end allows stacking easily in Very Narrow Aisles. The B3/30 can also work inside and outside on paved surfaces.

STANDARD FEATURES

- Three Wheel Design, Single Front Wheel Drive
- 11.2" (285mm) Stroke Integral Sideshifter
- Adjustable Seat and Steering Wheel
- DuraSteer™ Front Wheel Hydraulic Steering
- AC Traction Motor Controller with LandActive Control (LandActive control provides additional control during stacking as the maximum truck speed is controlled by steering angle.)
- AC Hydraulic Motor Controller
- Interactive LCD Status Monitor
BDI with Lift Interrupt, Hourmeter with Service Monitor, Diagnostic Code Display, Input Device Calibration
- Hydraulic Rear Wheel Brakes
- Safety Seat Switch and Seat Belts
- 40" (1000mm) Tapered Tip Forks - Rear Tow Pin
- Hand Actuated Parking Brake
- Creep Speed Mode Selection Switch
- High Visibility Mast and 36" (914mm) High Backrest
- Mast Tilt 1° Forward and 2° Back
- 48 Volt Electrical System
- Three Section Hydraulic Control Valve
- Smooth Poly Front Drive Tire and Rubber Rear Tires
- Horn, Keyswitch and Hourmeter
- Meets ANSI B56.1
- Cold Storage Conditioned to -22°F (-29°C)

OPTIONAL FEATURES

- Non-Standard Fork Lengths
- Dual Overhead Guard Mounted LED Headlights
- Dual Rear Safety LED Light Bars
- Safety Flashing LED Light
- Backup Alarm - Beeping Tone ("smart" dB adjusting)
- Fire Extinguisher - OHG Post Mounted
- Roller/Slide-Out Battery Tray
- Laser Fork Height Indicator
- Fork Positioner
- Keyless Key Pad On-Off



LANDOLL CORPORATION

MATERIAL HANDLING PRODUCT DIVISION

WWW.LANDOLL.COM/MHP

Bendi B3/30AC

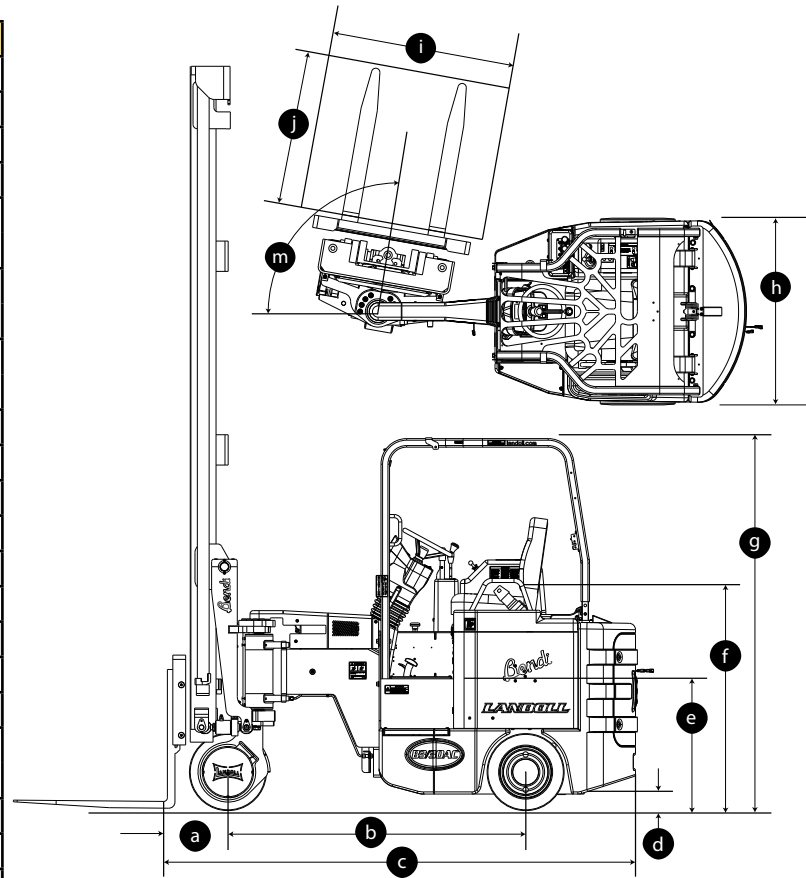
Electric Multi-Purpose VNA
Articulated Forklift Truck

TECHNICAL & DIMENSION DATA



TECHNICAL DATA

MODEL		B3/30AC	
Capacity		lbs/kg	3,000 / 1,363
Load Center		in/mm	24 / 600
Power Source			Battery, electric
Weight with Battery		lbs/kg	12,800 / 5,818
Travel Speed	Loaded	mph/kph	5.5 / 8.9
	Unloaded	mph/kph	6 / 9.7
Lift Speed	Loaded	fpm/mpm	90 / 27.4
	Unloaded	fpm/mpm	110 / 33.5
Lowering Speed	Loaded	fpm/mpm	100 / 30.5
	Unloaded	fpm/mpm	90 / 27.4
Mast Tilt	FWD/RWD	deg.	1 / 2
Lost Load Center	a	in/mm	14.2 / 361
Wheelbase	b	in/mm	69.6 / 1768
Overall Length to Face of Forks	c	in/mm	109.9 / 2791
Underclearance	d	in/mm	3 / 76
Cab Floor Height	e	in/mm	31 / 787
Seat Height	f	in/mm	51 / 1295
Overhead Guard Height	g	in/mm	87 / 2209
Chassis Width	h	in/mm	44.8 / 1138
Gradeability	Unloaded	%	8
	Loaded	%	5
Hydraulic Motor Rating		kW	12
Drive Motor Rating	Single Front	kW	5.1
Wheel Sizes	Front (1 each)	in/mm	18x7 / 457x178
	Rear (2 each)	in/mm	18x7 / 457x178
Traction Control Type	Curtis		AC
Hydraulic Control Type	Curtis		AC
Front Articulation	m	deg.	200



AISLE DIMENSIONS

LOAD DEPTH X WIDTH (j x i)	MINIMUM CLEAR AISLE
40" x 48" (1,000 x 1,200 mm)	66" (1,676 mm)
48" x 40" (1,200 x 1,000 mm)	72" (1,828 mm)
MIN. CLEAR TRANSFER AISLE	118" (3,000 mm)

MAST DIMENSIONS

STANDARD MAST SIZES					
Lift Height		Lowered Height		Free Lift	
Inches	Meters	Inches	Meters	Inches	Meters
156	3.96	92	2.34	56	1.42
204	5.18	108	2.74	72	1.83
222	5.64	118	3.00	82	2.08
250	6.35	133	3.38	97	2.46
288	7.32	147	3.73	111	2.82
312	7.92	155	3.94	119	3.02
360	9.14	174	4.42	138	3.51



RECOMMENDED BATTERY

Battery Designation: 24-85-17, 48 volt, 680 AHC (6 hour rate)
Nominal Size 27" X 38 1/2" x 22 5/8" (69 x 98 x 58 cm)
Truck Compartment Size: 27 1/2" x 38 3/4" x 23" (70 x 98 x 58 cm)
Battery Weight Min. 2,600 lbs (1181 kg) - Max 3,100 lbs. (1,409 kg)
Leads are at Position C, 20" Long, with SB 350 Amp Blue Connector

The specifications contained in this spec sheet are subject to change at any time without notice. Actual dimensions and performance data given herein may vary due to manufacturing tolerances.

1900 NORTH STREET • MARYSVILLE, KS 66508 • (800).428.5655 • www.landoll.com/mhp

