

Bendi[®]



B55AC / B55AC-HL



LANDOLL CORPORATION
MATERIAL HANDLING DIVISION
800-428-5655
www.landoll.com/mhp



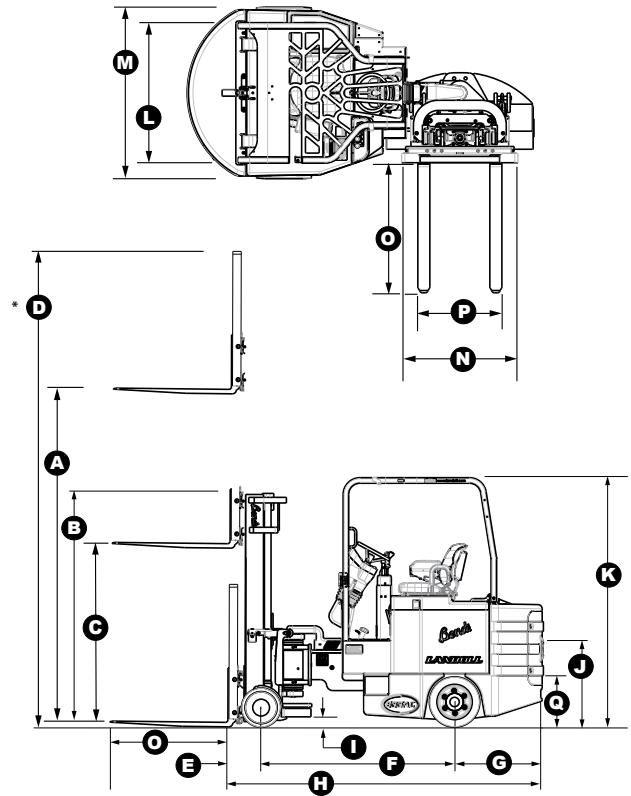
Model B55AC and B55AC-HL

Electric Multi-Purpose

The Landoll Bendi B55AC is a 4-wheel, articulating, AC powered, narrow aisle forklift that maximizes cube utilization while providing front loader versatility. Heavy load handling capability, increased productivity, operator comfort and safety are the primary benefits.

STANDARD FEATURES

- B55AC-5,500lb/2,500kg Capacity, lift heights to 360"/9.14M
- B55AC-HL-4,500 lb/2,045kg Capacity, lift heights to 472"/12M
- 84"/2.13M Stacking Aisle with 48" (1200mm) Long Load
- High Visibility 3-Stage or 4-Stage Mast
- Integral 11.2"(285mm) Stroke Sideshifter and 36" (914mm) High Load Backrest
- Dual Inside/Outside Capability
- Articulated floating front axle, B55AC-48"/1,219mm wide, B55AC-HL-46"/1,168mm wide
- Large Diameter Smooth Rubber Drive Tires
- Polyurethane Load Tires
- 180° Front-end DuraSteer™ Articulation/Steering Assembly with 5-Year Warranty
- Heavy Duty Dual Rear Wheel Planetary Drives
- AC Traction and Hydraulic Controllers
- Powerful AC Drive and Hydraulic Motors
- Comfortable Seated Operation with all Truck Controls Within Easy Reach
- Full Diagnostic Intelligent Display with Battery Discharge Indicator and Hour Meter
- Adjustable Cloth Suspension Swivel Seat
- Armrest and Adjustable Steering Column, Key Switch, Horn and Seatbelt
- Hydraulic Power Steering
- 4-post Heavy-Duty Overhead Guard
- Safety Deadman Seat Switch
- Heavy Duty Unitized Robotic Welded Chassis Design
- Provisions for RF Terminals Provided
- Capable of Freezer Operation to -22°F (-30°C)
- Accepts Class II Attachments
- Easily Accessible Components for Low Cost Maintenance



OPTIONAL FEATURES

- Non-Standard Fork Lengths
- LED Headlights, Flashing Light and Rear Safety Lights
- Integral Side Shifting Fork Positioner
- Auxiliary Hydraulics
- Non Marking Tires
- UL 583, Type EE Electrical Rating, FM Approved
- Vinyl Seat
- Slide Out Sideways Battery Tray
- Fire Extinguisher
- Lazer Fork Height Indicator
- Carriage Mounted Camera with Operator Compartment Monitor

HL 4 Wheel Heavy Capacity

Articulating Lift Truck



TECHNICAL DATA

MODEL			B55AC	B55AC-HL
Capacity		At 24" (600 mm) Load Center	lbs/kg	5,500 / 2,500
Weight		With Battery	lbs/kg	16,950 / 7,705
Travel Speed		Loaded	mph/kph	6.5 / 10.5
		Unloaded	mph/kph	7 / 11.3
Lift Speed		Loaded	fpm/mpm	90 / 27.4
		Unloaded	fpm/mpm	110 / 33.4
Lowering Speed		Loaded	fpm/mpm	100 / 30.5
		Unloaded	fpm/mpm	90 / 27.4
Mast Tilt		Back/Fwd - Up to 293" (7.44 M)	deg.	3 / 3
		Back/Fwd - 294" (7.46 M) to 360" (9.14 M)	deg.	2 / 1
Tilt, Carriage Only on HL		Back/Fwd	deg.	N/A
Lost Load Center	E		in/cm	12 / 310
Wheelbase	F		in/cm	69 / 175
Rear Overhang	G		in/cm	31.7 / 81
Overall Length Fork to Face	H	Mast Vertical	in/cm	113 / 287
Underclearance	I		in/cm	3 / 7.6
Operator Floor Height	J		in/cm	31 / 79
Overhead Guard Height	K		in/cm	89 / 226
Overhead Guard Width	L		in/cm	46 / 117
Overall Width	M		in/cm	56 / 142
Fork Carriage Width	N		in/cm	41 / 104
Fork Length	O		in/cm	40 / 101
Out to Out Fork Spread	P	Minimum / Maximum	in/cm	9.4-39.5 / 24-100
Battery Compartment Height	Q	Floor to Top of Battery Tray	in/cm	19 / 48
Right Angle Stacking Aisle		with 48"Lx40"W (1200 mm x 1000 mm) Load	in/cm	84 / 213
Intersecting Aisle		with 48"Lx40"W (1200 mm x 1000 mm) Load	in/cm	114 / 289
Gradeability		Loaded / Unloaded	%	15 / 15
Hydraulic Motor Rating		Continuous Duty Rating	type/kwh	AC / 16.8
Traction Motor Rating		Continuous Duty Rating	type/kwh	AC / 7.5 ea - 15 Total
Traction Control Type		Induction		AC
Hydraulic Control Type		Induction		AC
Wheel sizes		Front 2 Each Poly - Dia x Face	in/cm	14x8 / 36x20
		Rear 2 Each Rubber - Dia x Face	in/cm	18x9 / 46x23

MAST DIMENSIONS - B55AC

Lift Height (A)		Lowered Height (B)		** Free Lift (C)		Overall Height (D)	
Inches	Meters	Inches	Meters	Inches	Meters	Inches	Meters
Triple (3 Stage) Mast							
188	4.78	83	2.11	47	1.19	224	5.69
198	5.03	87	2.21	51	1.30	234	5.94
216	5.49	95	2.41	59	1.50	252	6.40
223	5.66	98	2.49	62	1.57	259	6.58
242	6.15	107	2.72	71	1.80	278	7.06
258	6.55	115	2.92	79	2.01	294	7.47
272	6.91	121	3.07	85	2.16	308	7.82
296*	7.52	129	3.28	93	2.36	332	8.43
312*	7.92	132	3.35	96	2.44	348	8.84
323*	8.20	138	3.51	102	2.59	359	9.12
360*	9.14	156	3.96	120	3.05	396	10.06
Quad (4 Stage) Mast							
250	6.35	87	2.21	51	1.30	286	7.26
258	6.55	89	2.26	53	1.35	294	7.47
276	7.01	95	2.41	59	1.50	312	7.92
294*	7.47	101	2.57	65	1.65	330	8.38
312*	7.92	107	2.72	71	1.80	348	8.84
* Tilt Restricted to 1° Forward and 2° Rearward							
** Free Lift Based on 36" (914mm) High Load Backrest							

MAST DIMENSIONS - B55AC-HL

Lift Height (A)		Lowered Height (B)		* Free Lift (C)		** Overall Height (D)	
Inches	Meters	Inches	Meters	Inches	Meters	Inches	Meters
Triple (3 Stage) Mast							
374	9.50	166	4.22	130	3.30	410	10.41
417	10.59	180	4.57	144	3.66	453	11.51
433	11.00	185	4.70	149	3.78	469	11.91
472	12.00	201	5.11	165	4.19	508	12.91
* Free Lift Based on 36" (914 mm) High Load Backrest							
** Overall Height Based on 36" (914 mm) High Load Backrest							

AISLE DIMENSIONS

LOAD DEPTH X WIDTH	MINIMUM CLEAR AISLE
40" x 48" (1,000 x 1,200 mm)	78" (1,930 mm)
48" x 40" (1,200 x 1,000 mm)	84" (2,133 mm)
TRANSFER or END AISLE	114" (2,896 mm)

RECOMMENDED BATTERIES

BATTERY DESIGNATION: 24-85-23, 48 VOLT, 935 AHC (6 HOUR RATE)
Nominal size: 44.75" X 32.25" x 22.63" (114 x 82 x 58 cm)
Truck compartment size: 44.875" x 32.5" x 23" (114 x 83 x 59 cm)
Battery weight min: 3,500 lbs (1,590 kg) – max: 4,000 lbs. (1,818 kg)
Leads are at position A, 12" long, with SB 350 amp blue connector

LANDOLL, Quality Narrow Aisle Lift Trucks for Space Optimization



**Dash Display with Full
Diagnostics , Battery Discharge
Indicator, and Hour Meter**



**Rear Controller Compartment and
Counterweight**



DuraSteer™ Front Wheel Steering
**Patent Rights Pending*



1900 North Street • Marysville, KS 66508

800-428-5655

www.landoll.com/mhp

