

PWMX HMX

30/40

ELECTRIC 24 VOLT
6000 / 8000 lbs.
(2720 / 3630 kg)



CLARK®

THE FORKLIFT



- Entry and exit rollers plus tapered slides enhance pallet entry and exit.



Highly Maneuverable, Easily Serviceable, Broadly Flexible, Extremely Dependable

PWX/HWX...The foundation of the **CLARK Powrworker®** line continues to set the standard for rugged dependability since its introduction as the industry's first hydraulically powered low-lift in 1920.

20" *deep*

The HWX provides a spacious rider platform with a durable dimpled steel surface that secures the operator's footing.

- Dash display with hour meter, battery discharge indicator and lift interrupt features a plastic lens which is required in many food handling applications.

Maximum Maneuverability + AC Performance =
Ultimate Productivity & Value



PWX/HWX STANDARD FEATURES & BENEFITS

DRIVE UNIT

■ Quiet, Low Maintenance Operation

- Spiral bevel gears are immersed in an oil bath and sealed in a heavy-duty case.

■ Heavy Duty, Ball-bearing Able To Endure High Shock



HYDRAULIC SYSTEM

■ Single Assembly System

- The integral pump, motor and reservoir assembly does not require a breather cap - eliminating a potential leak site and point where dirt can enter the system.



AC MOTOR/CONTROL

■ Fully Enclosed

- Keeps out dust and contaminants.
- Wet environment is not an issue.
- Better suited for food processing.

■ No Brushes to Change or Commutator to Turn...Ever

- Routine brush changes are eliminated.
- No need to pull the motor to turn and undercut the commutator.
- Much less likely to burn-out motor during a stall.

(Brushes were hot spots on DC motors)

■ 2 Forms of Regenerative Braking

- Change of direction (Proportional to accelerator position)
- Throttle release (Proportional to accelerator position)

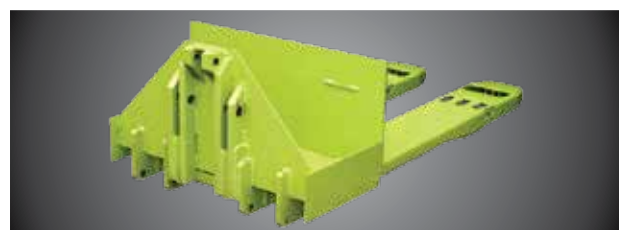
■ Advanced Thermal Protection

- Prevents heat damage to the motor and control.



Available Equipment

- EE Construction
- Load backrests
- Polyurethane drive tire
- Various fork sizes
- Back-up alarm
- Battery compartment rollers
- Cold storage protection
- Corrosion protection
- Convenience tray
- "T" style dual load wheels



RUGGED FRAME AND FORKS

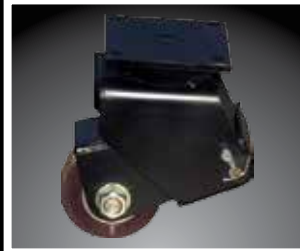
- Frame is fabricated from formed steel plate and bar steel reinforcements for optimum strength and rigidity.
- Forks also incorporate formed steel toes plus entry and exit rollers for improved pallet handling.



PALLET ENTRY/EXIT

■ Easy Pallet Access

- Entry and exit rollers plus tapered slides improve pallet entry and exit.



ENCLOSED ELECTROMAGNETIC BRAKES

■ Spring Applied/EM Release

- No Master Cylinder, No Seals,
No Hydraulic Fluids = No Leaks.

■ Double Acting

- Brakes engage with handle up or down.

■ Automatically Applied

- Parking brake is automatically applied when the truck is stopped and the handle is released.

LIFTING MECHANISM/UNDERCARRIAGE

■ Pull Rods

- Adjustable to maintain proper fork height over the life of the unit.
- Constructed from steel bar stock for maximum strength and durability.

■ Bronze Bushings

- Extreme-duty bronze bushings are used at lift linkage pivot points.

■ Spring-loaded Stability Casters

- Maintains contact on uneven surfaces.

■ Elevating Brackets

- 3-lug design reduce binding and promotes longer pin and bushing life.
- All pivot points are greaseable and feature steel backed bushings.



STEER/CONTROL HANDLE

■ Operator Control

- Handles are available with either twist grip or thumb operated control.

■ Toggle Switch

- Allows the operator to choose low or high speed range based on the application.

■ Minimal Steering Effort

- Low mounted steer handle on the PWX provides increased leverage.

■ Ample Foot Room on Rider Platform

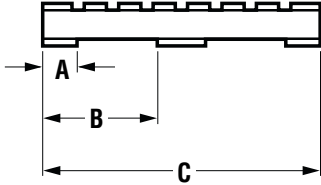
- Top mounted handle on HWX.

GENERAL DATA & STANDARD DIMENSIONS

Battery Compartment Dimensions

	Width (W) inches	Length (L) inches	Height (H) inches
Small	35.5	7.0	All
Large	31.4	13.6	All

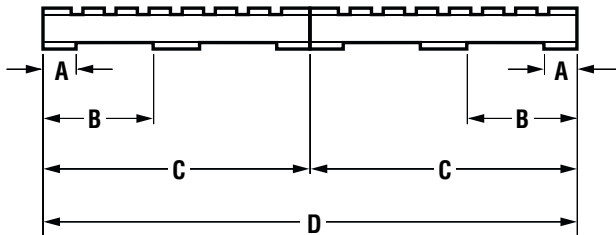
Fork Lengths and Pallet Dimensions (in)



A - Bottom board width
B - Minimum clearance for wheel drop from end of pallet
C - Pallet length

For Single Pallet Handling Fork Length

	A	B	C
41.63	6	15	42
47.63	6	15	48
59.63	6	15	60
71.63	6	15	72
95.63	6	15	96



A - Bottom board width
B - Minimum clearance for wheel drop from end of pallet
C - Pallet length
D - Double load length

For Double Pallet Handling Fork Length

	A	B	C	D
84/93/96	6	15	48	96

Notes

Performance may vary +5% and -10% due to motor and systems efficiency tolerance. The performance shown represents nominal values which may be obtained under typical operating conditions with a standard machine.

ANSI/ITSDF and Insurance Classification

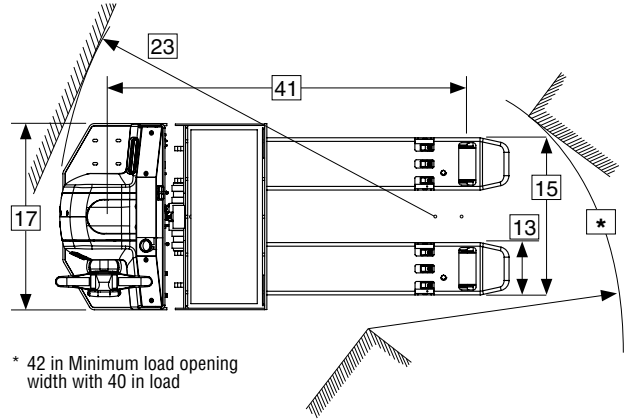
Standard truck meets all applicable mandatory requirements of Part III-ANSI/ITSDF B56.1 Safety Standard for Powered Industrial Trucks (latest edition at time of manufacture) and Underwriters Laboratories requirements as to fire and electrical shock hazard only for "E" classification. For further information contact a Clark representative.

Users should be aware of, and adhere to, applicable codes and regulations regarding operator training, use, operation and maintenance of powered industrial trucks, including:

- ANSI/ITSDF B56.1
- NFPA 505, fire safety standard for powered industrial trucks - type designations, areas of use, maintenance and operation.
- Occupational Safety and Health Administration (OSHA) regulations that may apply.

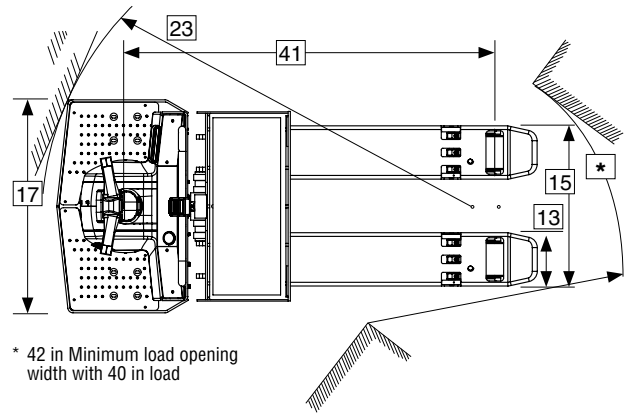
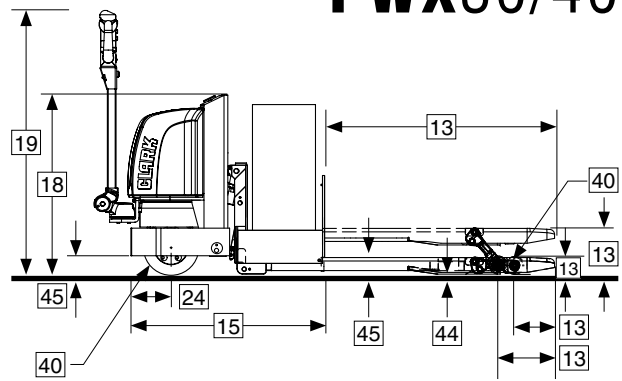
Contact your authorized CLARK forklift truck dealer for further information including operator training programs and auxiliary visual and audible warning systems, fire extinguishers, etc., as available for specific user applications and requirements.

Specifications, equipment, technical data, photos and illustrations are based on information at time of printing and are subject to change without notice. Some products may be shown with optional equipment.



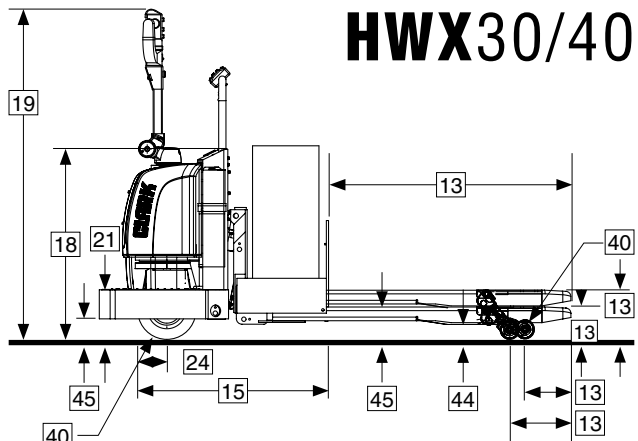
* 42 in Minimum load opening width with 40 in load

PWX30/40



* 42 in Minimum load opening width with 40 in load

HWX30/40



For corresponding data see Specification Chart

STANDARD SPECIFICATIONS

General Information	1	Manufacturer		Clark	Clark	
	2	Model	Manufacturer's Designation	HWX30	HWX40	
	3	Load Capacity	lbs(kg)	6000 (2720)	8000 (3630)	
	4	Load Center	Fork Face Load CG	in(mm)	24 (600)	24 (600)
	5	Power Unit	Electric		24 volt	24 volt
	6	Operator Type			Ride-walk/low lift/pallet	Ride-walk/low lift/pallet
	7	Tire Type	Drive/Steer - load		Urethane / Urethane	Urethane / Urethane
	8	Wheels (x=driven)	Front/Rear		1x / 2	1x / 2
Basic Dimensions	13	Fork	Lift height to top of fork	in(mm)	9.25 (235)	9.25 (235)
			Lowered height at heel/toe	in(mm)	3.50/3.25 (89/83)	3.50/3.25 (89/83)
			Thickness	in(mm)	2.38 (60)	2.38 (60)
			Width ¹	in(mm)	9.0 (229)	9.0 (229)
			Usable length ²	in(mm)	47.63 (1210)	47.63 (1210)
			Fork tip to load wheel cntr. - lowered	in(mm)	7.17 (182)	7.17 (182)
		Fork tip to load wheel cntr. - raised	in(mm)	11.38 (289)	11.38 (289)	
	15	Overall Dimensions	Length to Fork Face ³	in(mm)	32.8/38.8 (833/986)	32.8/38.8 (833/986)
			Overall width, forks	in(mm)	27.0 (686)	27.0 (686)
	17		Width ³	in(mm)	36.0/32.0 (914/813)	36.0/32.0 (914/813)
	18		Height	in(mm)	32.39 (823)	32.39 (823)
	19	Handle Height	Ground to tip of released handle	in(mm)	56.7 (1440)	56.7 (1440)
	21	Step Height	Ground to top of step plate	in(mm)	8.5 (216)	8.5 (216)
	23	Turning Radius	With 48Lx40W pallet raised ³	in(mm)	68.9/74.9 (1750/1902)	68.9/74.9 (1750/1902)
			With 48Lx40W pallet lowered ³	in(mm)	73.3/79.3 (1862/2014)	73.3/79.3 (1862/2014)
24	Head Length	Front of frame to center of drive tire	in(mm)	11.6 (295)	11.6 (295)	
25	Right Angle Stack Aisle (Add 6-8" Operating Clearance)	With 48Lx40W pallet raised ³	in(mm)	75.9/81.9 (1928/2080)	75.9/81.9 (1928/2080)	
		With 48Lx40W pallet lowered ³	in(mm)	81.8/87.8 (2078/2230)	81.8/87.8 (2078/2230)	
Perfor.	28	Speeds	Travel Speed, Max w/ Load	mph(kph)	6.4 (10.4)	6.1 (9.8)
	29		Travel Speed, Max w/o Load	mph(kph)	8.4 (13.5)	8.4 (13.5)
Wt.	34	Service Weight	Including battery ³	lbs(kg)	1860/2280 (843/1034)	1860/2280 (843/1034)
Chassis	39	Tires	Number, Front/Rear		1 / 2	1 / 2
	40		Size, Front	in(mm)	10.0 x 4.0 x 6.5 (254 x 101 x 165)	10.0 x 4.0 x 6.5 (254 x 101 x 165)
			Size, Rear	in(mm)	3.25 x 5.75 (83 x 146)	3.25 x 5.75 (83 x 146)
			Size, stabilizing casters	in(mm)	4.0 x 2.5 (102 x 64)	4.0 x 2.5 (102 x 64)
	41	Wheelbase	With forks lowered ³	in(mm)	61.6/67.6 (1565/1717)	61.6/67.6 (1565/1717)
	44	Ground Clearance	Minimum without Load	in(mm)	.125 (3)	.125 (3)
			At center of wheelbase	in(mm)	0.88 (22)	0.88 (22)
			At front of frame	in(mm)	3.5 (89)	3.5 (89)
	46	Service Brake	Type		Regenerative	Regenerative
	47	Parking Brake	Actuation		Auto-Electro magnetic	Auto-Electro magnetic
	Steering	Type		Pivot arm	Pivot arm	
Drive Line	48	Battery	Type		Lead acid	Lead acid
			Max. capacity (6 hr. rate) ³	kwh	7.7 / 21.5	7.7 / 21.5
			Weight, minimum ³	lbs(kg)	456/821 (207/373)	456/821 (207/373)
			Weight, maximum ³	lbs(kg)	575/1461 (261/664)	575/1461 (261/664)
	49	Motors, Controls	Drive motor, diameter	in(mm)	6.89 (175)	6.89 (175)
			Hydraulic motor, diameter	in(mm)	4.5 (114)	4.5 (114)
			Drive motor control		Inverter	Inverter
			Speed control		Solid state	Solid state
		Hydraulic motor control		Contactactor	Contactactor	
57	Hydraulic Pressure	For lift	psi	2300	2300	

Notes: 1 Forks longer than 54 in. (small compartment) and 48 in. (large compartment) are 9.13 in. wide.
 2 Other fork lengths available, see general data.
 3 Specifications shown for small/large battery compartment models.

PWX/HWX 30/40

Clark	Clark
PWX30	PWX40
6000 (2720)	8000 (3630)
24 (600)	24 (600)
24 volt	24 volt
Walk/low lift/pallet	Walk/low lift/pallet
Urethane / Urethane	Urethane / Urethane
1x / 2	1x / 2
9.25 (235)	9.25 (235)
3.50/3.25 (89/83)	3.50/3.25 (89/83)
2.38 (60)	2.38 (60)
9.0 (229)	9.0 (229)
47.63 (1210)	47.63 (1210)
7.17 (182)	7.17 (182)
11.38 (289)	11.38 (289)
28.27/34.27 (718/870)	28.27/34.27 (718/870)
27.0 (686)	27.0 (686)
36.0/32.0 (914/813)	36.0/32.0 (914/813)
32.39 (823)	32.39 (823)
48.0 (1220)	48.0 (1220)
N / A	N / A
64.6/70.6 (1641/1793)	64.6/70.6 (1641/1793)
69.1/75.1 (1755/1908)	69.1/75.1 (1755/1908)
7.14 (181)	7.14 (181)
69.4/75.4 (1763/1915)	69.4/75.4 (1763/1915)
73.2/79.2 (1859/2012)	73.2/79.2 (1859/2012)
3.3 (5.3)	3.1 (4.9)
4.0 (6.4)	4.0 (6.4)
1370/1780 (620/807)	1440/1850 (653/839)
1 / 2	1 / 2
10.0 x 4.0 x 6.5 (254 x 101 x 165)	10.0 x 4.0 x 6.5 (254 x 101 x 165)
3.25 x 5.75 (83 x 146)	3.25 x 5.75 (83 x 146)
61.6/67.6 (1565/1717)	61.6/67.6 (1565/1717)
.125 (3)	.125 (3)
0.88 (22)	0.88 (22)
3.5 (89)	3.5 (89)
Regenerative	Regenerative
Auto-Electro magnetic	Auto-Electro magnetic
Pivot arm	Pivot arm
Lead acid	Lead acid
7.7 / 21.5	7.7 / 21.5
456/821 (207/373)	456/821 (207/373)
575/1461 (261/664)	575/1461 (261/664)
6.89 (175)	6.89 (175)
4.5 (114)	4.5 (114)
Inverter	Inverter
Solid state	Solid state
Contactora	Contactora
2300	2300

& Don't Forget... **Safety Starts With You!**

Before operating a motorized hand truck, an operator must:

- Be trained and authorized
- Read and understand operator's manual
- Not operate a faulty hand truck
- Not repair a hand truck unless trained and authorized
- Perform daily inspections

During operation, a motorized hand truck operator must:

- Keep hands on designated grips and feet away from hand truck
- Not operate hand truck with wet or greasy hands or shoes
- Never carry passengers or lift people
- Keep hand truck away from people and obstructions
- Travel with lift mechanism as low as possible
- Allow safe stopping distance and come to a complete stop before leaving the rider platform

To park a motorized hand truck, an operator must:

- Completely lower forks
- Turn key off

- HWX lift, lower and horn buttons are located at the centers of both the hand rail and steer handle. The hand rail also features a high speed travel button.

8.5" H

- The **low step height** means frequent entry and exit is easy and less tiring for the operator.

- We don't just build forklifts. As a company, we are also focused on providing our customers with the best possible technical service support and aftermarket parts available.
- Even though our business starts with a quality, cost-effective product, our organization understands that it is the support and services we provide after the sale that help keep your business running at peak efficiency.

- **THE CLARK PartsPRO® SYSTEM** is our industry-leading electronic parts and service documentation tool that provides dealers with a quick and accurate method of identifying parts for every CLARK forklift built since 1961. PartsPRO® ensures the availability of the most current technical information and has the unique capability to create parts manuals specific to your mixed CLARK fleet, making it simple to positively identify and order the correct part(s) from your local CLARK dealer. The right CLARK part — The First Time, Every Time.

- **UNRIVALED PARTS SUPPORT** Our Aftermarket Distribution Center provides parts to over 250 North American CLARK dealers and many international dealers. This CLARK operated 184,000 square foot facility is dedicated to supporting the CLARK models built over the last 90 years. This facility is focused on providing excellent off-the-shelf availability, quality parts, quick response time and competitive pricing.

DEPENDABLE PARTS = DEPENDABLE TRUCKS



BUILT TO LAST.®



CLARK MATERIAL HANDLING COMPANY

North American Headquarters
 700 Enterprise Drive • Lexington, KY 40510
 866-252-5275 • www.clarkmhc.com

PWX/HWX 30/40

59-894-2086 Printed in USA revMP03135M

© 2013 CLARK Material Handling Company