

DREXEL®

MODEL FL40/60 EX

EXPLOSION-PROOF

4,000 LB (1,814KG) AND

6,000 LB (2,722KG) CAPACITY

STANDARD FEATURES

- Four-Wheel Configuration - Front Wheel Drive; Rear Wheel Steering
- High Visibility Mast, 2 or 3 Stage
- 36 Volt Electrical System
- Adjustable Driver's Seat
- Safety Seat Switch, Cuts Power
- Seat Belts
- 4-Wheel Brakes - Dual System
- Automatic Return-to-Neutral
- Independent Hand and Seat Actuated Parking Brake
- GE "SCR" Controls
- Quartz Hour Meter
- Hydrostatic Power Steering
- UL "EX" Labeling
- Designed for ANSI-UL 583, TYPE EX (Class 1, Division 1, Group D and Class 2, Division 1, Group G)
- Emergency Power Disconnect Switch
- Type N-150, 3 Contact Charging Receptacle, Type EX
- RFI Suppressed to Mil-SDT-461, Class 3C
- EX Rated Motors
- Static Ground Steer Tires
- Cushion Rubber Drive Tires
- Static Ground Straps
- Brass Clad Forks and Load Backrest
- Overhead Guard
- Fire Extinguisher
- Electric Horn
- Recessed Rear Tow Pin



OPTIONAL FEATURES

The following optional features are the most frequently ordered options that may be "factory installed" to the Models FL-40-EX and/or FL-60-EX Fork Lift Trucks.

- Strobe Warning Light
- Hydraulic Attachments
- Cable Operated Horn
- Electric Backup Alarm
- Battery Compartment Rollers
- 6,800 lb (3,084 KG) Capacity, FL-60 Only
- Side Shifter, 4" (10cm) Either Side of Center
- Folding Forks



LANDOLL CORPORATION

MATERIAL HANDLING PRODUCT DIVISION

WWW.LANDOLL.COM/MHP

MODEL FL-40/60-EX EXPLOSION-PROOF

4,000 LB (1,814KG) AND 6,000 LB (2,722KG) CAPACITY

TECHNICAL & DIMENSION DATA



TECHNICAL DATA

MODEL		FL40	FL60
Capacity	lbs/kg	4,000 / 1,814	6,000 / 2,722
Truck Weight	lbs/kg	7,700 / 3,493	8,950 / 4,060
Travel Speed	mph/kph	4 / 6	4 / 6
Lift Speed	fpm/mpm	34 / 10	25 / 8
	fpm/mpm	53 / 15	53 / 15
Lower Speed	fpm/mpm	56 / 17	56 / 17
	fpm/mpm	52 / 16	52 / 16
Mast Tilt	deg	3 / 4	3 / 4
Lost Load Center	E in/cm	19 / 49	19 / 49
Wheelbase	F in/cm	48 / 122	48 / 122
Rear Overhang	G in/cm	20 / 51	24 / 60
Overall Length to Fork Face	H in/cm	87 / 221	91 / 231
Underclearance	I in/cm	5 / 13	5 / 13
Seat Clearance	J in/cm	39 / 99	39 / 99
Overhead Guard Height	K in/cm	84 / 213	84 / 213
Overall Width	L in/cm	43 / 109	43 / 109
Fork Carriage Width	M in/cm	36 / 91	36 / 91
Overall Length Loaded	N in/cm	87 / 221	91 / 231
Battery Height	O in/cm	48 / 121	48 / 121
Rear Grade Clearance	P deg	15°	11°
Center Grade Clearance	Q deg	12°	12°
Overhead Guard Width	R in/cm	40 / 102	40 / 102
Load Backrest Height	S in/cm	48 / 122	48 / 122
Turning Radius	T in/cm	85 / 216	89 / 226
Fork Size (Standard)	in	2x4x42	2x4x42
ITA CLASS III	cm	5x11x107	5x11x107
Gradeability	%	15%	15%
Wheel Sizes	in	18x8x12.1	18x8x12.1
	cm	46x20x31	46x20x31
	in	16.2x6x11.2	16.2x6x11.2
	cm	41x15x29	41x15x29

MAST DIMENSIONS

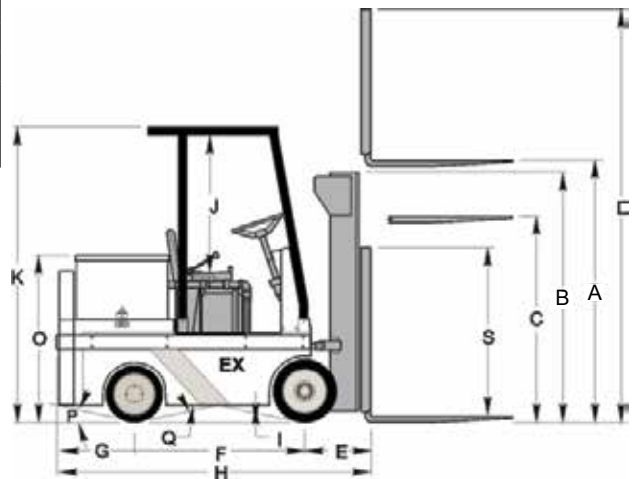
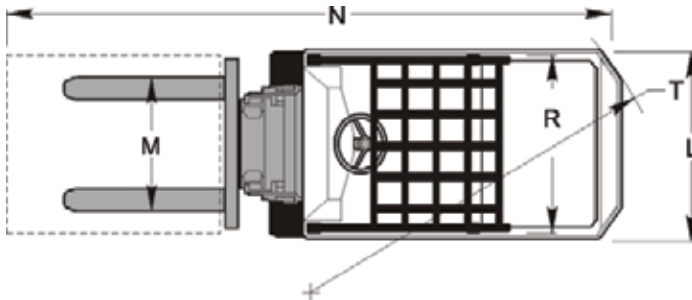
FL40/60 MAST OPTIONS							
Max. Fork Height (A)		Collapsed Height (B)		Free Lift Height (C)		Max. Overall Height (D)	
Inches	Meters	Inches	Meters	Inches	Meters	Inches	Meters
Dual Mast FL40							
106	269	71	180	47	119	154	391
130	330	83	211	59	150	178	452
Dual Mast FL60							
114	269	77	196	51	130	162	412
130	330	87	221	61	155	178	452
Triple Mast FL40							
152	386	71	180	47	120	200	508
170	432	77	196	53	135	218	554
188	578	83	210	59	150	236	599
198	503	87	221	63	160	246	625
216	549	95	241	71	180	264	671
236	600	103	262	79	201	284	721
Triple Mast FL60							
149	379	71	180	45	114	197	500
167	424	77	196	51	130	215	546
185	470	83	210	57	145	233	592
196	498	87	221	61	155	244	620
214	545	95	241	69	175	262	666
234	594	103	262	77	196	282	716

Above dimensions are based on a 3" (7.6cm) Mast Underclearance.



RECOMMENDED BATTERY

Battery Designation: 18-85-19 EX with Anderson Type N-150, 3 contact charging receptacle Type EX
36 Volt
765 Amp Hours
Nominal size 37-1/8" x 26-1/2" x 25-1/4" (94 x 67 x 64cm)
Battery compartment size: 37-5/8" x 27-3/8" (96 x 70cm)
Battery weight min. 2,475 lbs (1,123 kg) - max 2,575 lbs. (1,168kg)
Dealer will select battery size based on the application. Usage hours will vary with load weight, number of lift cycles, lift height, attachment use and travel distance. (Battery must comply with Landoll "EX" Battery Specification - Drawing number: B-58911.)



The specifications contained in this spec sheet are subject to change at any time without notice. Actual dimensions and performance data given herein may vary due to manufacturing tolerances.

1900 NORTH STREET • MARYSVILLE, KS 66508 • (800).428.5655 • www.landoll.com/mhp



FL40-60EX/0211