

DREXEL®



SL30AC / SL40AC / SL50AC



LANDOLL CORPORATION
MATERIAL HANDLING DIVISION
800-428-5655
www.landoll.com/mhp



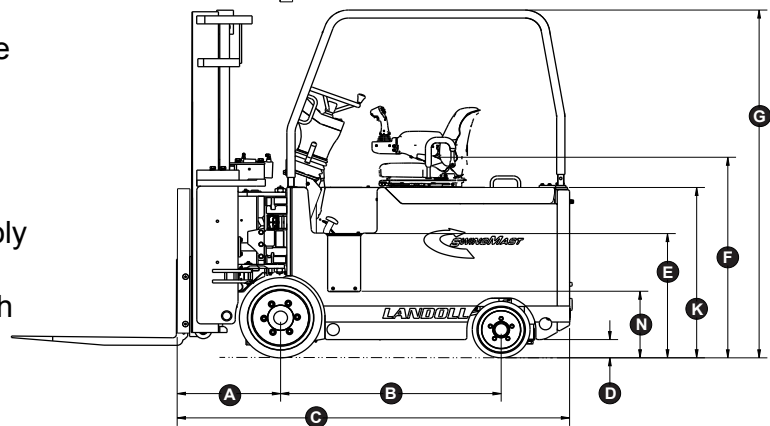
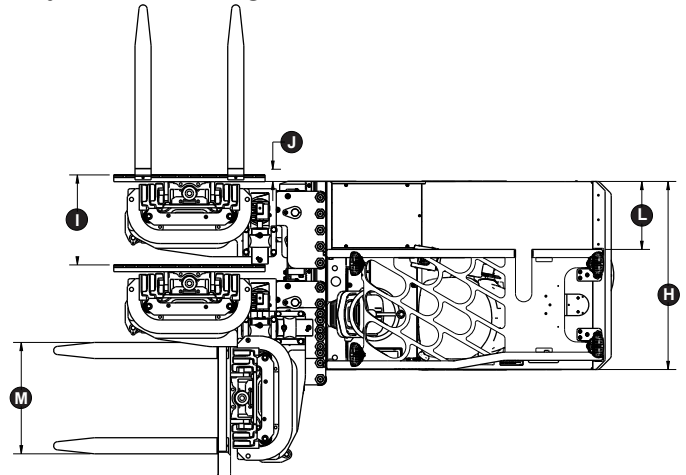
Model SL30AC / SL40AC / SL50A

Electric Multi-Purpose Pallet Loader

The Landoll 4-wheel Drexel SwingMast® AC powered VNA forklift maximizes cube utilization while providing front loader versatility. Operator comfort, 100% AC power and single joystick hydraulic controls offer convenient and efficient operation. The ability to store long loads as a sideloader increases this unit's versatility for long load handling.

STANDARD FEATURES

- 3,000 lbs. (1,363kg), 4,000 lbs. (1,818kg) and 5,000 lbs. (2,272kg) Capacity at 24" (600mm) Load Center
- Lift Heights to 374" (9.5M)
- 56" (1.4M) Stacking Aisle
- High Visibility 3-Stage or 4-Stage Mast
- 48-Volt CAN-Bus Electrical System
- Dual AC Traction Motor Controllers
- AC Hydraulic Motor Controller
- Hydraulic Power Steering Powered by Main Hydraulic Pump (No Separate Power Steering Pump or Motor)
- Full Diagnostic Intelligent Display with Battery Discharge Indicator and Hour Meter
- Four-Wheel Design, Dual Front Wheel Planetary Drives and Heavy Duty Articulating Rear Steer Axle
- Right Side 16½" (419mm) Deep Long Load Deck
- Large Diameter Poly Drive (Rubber on SL30AC) and Poly Steer Tires
- 22" (559mm) of Mast Shift, Includes 3" (76mm) of Reach and 90° Right Side Mast Rotation
- Comfortable Seated Operation with Single Joystick Hydraulic and Directional Control on Armrest
- Mast Tilt of 4° Back and 3° Forward (Restricted to 2° Back and 1° Forward at 294" and Higher Lift Height)
- Adjustable Cloth Suspension Swivel Seat with Adjustable Arm Rests
- Adjustable Steering Column, Key Switch, Rear View Mirror, Horn and Seatbelt
- Safety Seat Switch and Retractable Seatbelts
- Hydraulic Front Wheel Disc Brakes
- Horizontal Tilt Indicator
- 4-Post Adjustable Overhead Guard
- 40" (1,000 mm) Long End Tapered Forks, 37" (940 mm) Wide Carriage and 36" (914 mm) High Load Backrest
- Provisions for RF Terminals
- Capable of Operation to -22°F (-30°C) Freezer Operation
- Accepts Class II Attachments
- Easily Accessible Components for Low Cost Maintenance



OPTIONAL FEATURES

- Non-Standard Fork Lengths
- LED Headlights, Flashing Light and Rear Safety Lights
- Back Up Alarm
- Integral Fork Positioner
- Auxiliary Hydraulics
- Non-Marking Tires
- UL-583 Type EE Electrical Rating, FM Approved
- Vinyl Seat
- Fire Extinguisher
- Laser Fork Height Indicator
- Camera with Operator Compartment Monitor
- 42" (1,067 mm) Wide Fork Carriage
- Battery Compartment Roll Out Tray
- Wire Guidance Controls – Truck Mounted
- Long Load Handling Deck Mount

LC 4-Wheel VNA Drexel Swingmast®

Hander and Long Load Side Loader



TECHNICAL DATA

MODEL			SL30AC	SL40AC	SL50AC
Capacity		lbs/kg	3,000 / 1,363	4,000 / 1,818	5,000 / 2,272
Load Center		in/mm	24 / 600	24 / 600	24 / 600
Weight	with Battery	lbs/kg	12,600 / 5,727	13,800 / 6,272	15,100 / 6,864
Travel Speed	Loaded	mph/kph	6.5 / 10.5	6.5 / 10.5	6.5 / 10.5
	Unloaded	mph/kph	7 / 11.3	7 / 11.3	7 / 11.3
Lift Speed	Loaded	fpm/mpm	90 / 27.4	90 / 27.4	90 / 27.4
	Unloaded	fpm/mpm	110 / 33.4	110 / 33.4	110 / 33.4
Lowering Speed	Loaded	fpm/mpm	100 / 30.5	100 / 30.5	100 / 30.5
	Unloaded	fpm/mpm	90 / 27.4	90 / 27.4	90 / 27.4
Mast Tilt	To 293" (7.44M)	back/ fwd	4 / 3	4 / 3	4 / 3
	294" (7.46) and Higher	back/fwd	2 / 1	2 / 1	2 / 1
Mast Underclearance		in/mm	5 / 127	5 / 127	5 / 127
Lost Load Center	A with Triple Mast	in/mm	25 / 635	25 / 635	25 / 635
Wheelbase	B	in/mm	53.5 / 1,359	53.5 / 1,359	53.5 / 1,359
Overall Length	C with Triple Mast	in/mm	95.25 / 2,419	95.25 / 2,419	96.25 / 2,445
Rear Underclearance	D	in/mm	4.5 / 114	4.5 / 114	4.5 / 114
Cab Floor Height	E	in/mm	31 / 787	31 / 787	31 / 787
Seat Height	F	in/mm	50 / 1,270	50 / 1,270	50 / 1,270
Overhead Guard Height	G	in/mm	87 / 2,210	87 / 2,210	87 / 2,210
Chassis Width	H	in/mm	46 / 1,168	46 / 1,168	46 / 1,168
Mast Shift	I	in/mm	22 / 559	22 / 559	22 / 559
Side Reach	J	in/mm	3 / 76	3 / 76	3 / 76
Side Deck Height	K	in/mm	42.5 / 1,080	42.5 / 1,080	42.5 / 1,080
Side Deck Width	L	in/mm	16.5 / 419	16.5 / 419	16.5 / 419
Fork Carriage Width	M	in/mm	37 / 940	37 / 940	37 / 940
Step Height	N	in/mm	16.5 / 419	16.5 / 419	16.5 / 419
Fork Length		in/mm	40 / 1,016	40 / 1,016	40 / 1,016
Gradeability	Loaded	%	15	15	15
Hydraulic Motor Rating	Continuous Duty Rating	type/kwh	AC / 16.8	AC / 16.8	AC / 16.8
Traction Motor Rating	Continuous Duty Rating	type/kwh x 2	AC / 5.6 = 11.2	AC / 5.6 = 11.2	AC / 5.6 = 11.2
Drive Tire Type			Smooth Rubber	Smooth Poly	Smooth Poly
Drive Tire Size	Diameter x Width	in/mm	20x9 / 508x229	20x9 / 508x229	20x9 / 508x229
Steer Tires	Poly - Diameter x Width	in/mm	14x5 / 356x128	14x5 / 356x128	14x5 / 356x128

MAST DIMENSIONS

Lowered Height Based on 5" Mast Underclearance

Lift Height		Lowered Height		* Free Lift	
Inches	Meters	Inches	Meters	Inches	Meters
Triple (3-Stage) Mast SL30AC / SL40AC / SL50AC					
188	4.78	85	2.16	49	1.24
198	5.03	89	2.26	53	1.35
216	5.49	97	2.46	61	1.55
223	5.66	100	2.54	64	1.63
242	6.15	109	2.77	73	1.85
258	6.55	117	2.97	81	2.06
272	6.91	123	3.12	87	2.21
296	7.52	131	3.33	95	2.41
312	7.92	134	3.40	98	2.49
323	8.20	140	3.56	104	2.64
360	9.14	158	4.01	122	3.10
374**	9.50	168	4.27	132	3.35

* Free Lift Based on 36" High Load Backrest

** 374" (9.5) Mast Available on SL50AC Only

Lift Height		Lowered Height		* Free Lift	
Inches	Meters	Inches	Meters	Inches	Meters
Quad (4-Stage) Mast SL30AC / SL40AC					
250	6.35	89	2.26	53	1.35
258	6.55	91	2.31	55	1.40
276	7.01	97	2.46	61	1.55
294	7.47	103	2.62	67	1.70
312	7.92	109	2.77	73	1.85
Quad (4-Stage) Mast SL50AC					
250	6.35	93	2.36	57	1.45
260	6.60	97	2.46	61	1.55
276	7.01	104	2.64	68	1.73
295	7.49	111	2.82	75	1.91
315	8.00	119	3.02	83	2.11

*Free Lift Based on (914mm) High Load Backrest

RECOMMENDED BATTERIES

BATTERY DESIGNATION: 24-100-21, 48 VOLT, 1,000 AHC
Battery Weight Min. 3,250 lbs (1477kg) - Max. 3,900 lbs. (1773kg)
Leads are at Position A, 36" Long, with SB 350 Amp Blue Connector
Nominal Size: 33" x 38 9/16" x 25 5/8" (84 x 98 x 65cm)
Compartment Size: 33 1/2" x 38 5/8" x 25 3/4" (85 x 98 x 65cm)

AISLE DIMENSIONS

LOAD DEPTH X WIDTH	MINIMUM CLEAR AISLE
40" x 48" (1,000 x 1,200mm)	56" (1,422mm)
48" x 40" (1,200 x 1,000mm)	60" (1,524mm)
Minimum Clear Transfer Aisle with Load	138" (3,505mm)

LANDOLL, Quality Narrow Aisle Lift Trucks for Space Optimization



Single Joystick Controls for All Hydraulic Functions, Directional Control and Horn



Removeable Cover Provides Easy Access to All Control Components



Dash Display with Full Diagnostics, Hour Meter and Battery Discharge Indicator



1900 North Street • Marysville, KS 66508

800-428-5655

www.landoll.com/mhp



SL30AC-SL40AC-SL50AC/1112