

Features

Linde hydrostatic drive system

- Responsive, smooth, precise
- No mechanical wear components
- Robust, well proven in severe applications
- Low maintenance cost
- Long service life



Linde clear-view mast

- Superior visibility
- Full capacity to 256" / 268"
- Unmatched residual capacity with attachments

Linde twin pedal travel control

- Instantaneous directional changes
- Precise control without shift shock
- Lower fatigue, improved productivity

Linde Load Control (LLC)

- Effortless load handling with fingertip control
- Precision placement and transfer of loads
- Complete separation of travel and hydraulic functions

Linde truck control

- Automatic engine speed control
- Redundant monitoring systems
- Fully sealed electronic controller



Linde operator compartment

- Unmatched visibility
- Advanced ergonomic design
- Spacious
- Floating, shock mounted cab

Power plant

- Industrial Deutz Diesel engine complying to EPA Tier 4 requirements
- High torque, 348 lbf at 1600 rpm
- Electronic engine management
- Low emissions
- Fuel tank 21.0 gallons

Linde torsion distribution system

- Reduction of mast distortion up to 30%
- High residual capacity
- Overhead tilt cylinders

Linde Material Handling North America Corporation
 2450 West 5th North Street, Summerville, SC 29483
 Phone: (843) 875.8000 • Truck Sales Fax: (843) 875.8471
 E-mail: trucksales@lmh-na.com • Web Site: www.lmh-na.com



ANSI Standard truck meets all applicable mandatory requirements of ANSI/ITSDF B56.1 standards for powered industrial trucks.
 NOTE: Performance data may vary due to motor and system efficiency tolerances. The performance depicted represents nominal values obtained under typical operating conditions. Metric dimensions are in millimeters, unless otherwise specified. All metric dimensions are not direct equivalents due to rounding data. The descriptions and specifications included on this data sheet were in effect at the time of printing. Linde Material Handling North America Corporation reserves the right to make improvements and changes in specification or design without notice and without incurring obligation. Please check with your authorized Linde dealer for information on possible updates or revisions.

linde_spec_396-02
 USA_v13.1 (021813)



Diesel Forklift Trucks
13,000 to 17,500 lbs. Capacity
 H60D, H70D, H80D, H80D-900, and H80D-1100
 SERIES 396-02

Linde Material Handling



Safety

With full loads weighing as much as 17500 lbs. at 43" load center and full capacity up to 256" of lift height—safety is priority number one. The Linde Torsion Support System and mast design are the fundamental reasons for stability when handling wide, swinging loads generating high dynamic forces.

Performance

These trucks are engineered to take care of the really tough jobs. Advanced engine design and Linde hydrostatic drive technology enable the operator to accelerate and decelerate smoothly and without shift-shock, at slow pace or at full speed. Without effort, using the original Linde Load Control, the driver manipulates the load efficiently and quickly in any condition. Precise control of all movements is the key to high performance.

Comfort

Man and machine are perfectly matched on these high capacity forklifts. Designed to the most advanced ergonomic standards, the generously sized driver's cab provides a comfortable work environment. Fully adjustable seat and armrest contribute to minimizing stress and fatigue. Fingertip hydraulic controls, designed into the armrest, add further to the fatigue free operation.

Reliability & Durability

50 years of experience with hydrostatic drive systems are combined with a robust, industrial diesel engine, the result, utmost reliability. This combination has consistently proven dependable in even the most challenging environments. This machine is effective and cost efficient without equal.

Economic

The original Linde hydrostatic system operates without mechanical transmission, torque converter, clutch, differential axle and conventional brakes. The net effect: low operating cost and increased productivity, a significant advantage especially in high cycle applications.

Standard and optional equipment

Standard equipment:

Direct injection, turbo charged, 4.0 liter (246 cubic inches) diesel engine with intercooler, providing 114 hp
 Twin pedal drive system
 SE tires
 Armrest with Linde Load Control
 Hydraulic suspension, high comfort driver seat
 Tilttable steering wheel
 Hydrostatic power steering
 Torsion distribution system
 High performance filter system
 Comprehensive display

Options:

Single pedal travel control
 Tire options, Radial, twin, etc..
 Special carriages
 Integrated sideshifters and fork positioners
 Complete cabs
 Heating and cooling
 Seat options
 Lighting options
 Various custom options and packages

Other options available on request

Capacity and mast information*

h1 (in.)	h3 (in.)	Type	Capacity (lb.)	Tilt (°F/°B)
H60D Capacity (lb) @ 24" load center** • 2.5" x 6" x 48" Std taper Class IV forks** • Single SE 355/65 - 15 drive tires**				
107.5	140.0	Simplex	13000	5/9
119.5	163.5	Simplex	13000	5/9
127.5	179.5	Simplex	13000	5/9
141.0	207.0	Simplex	13000	5/9
157.0	238.5	Simplex	13000	5/9
H70D Capacity (lb) @ 24" load center** • 2.75" x 8" x 48" Std taper Class IV forks** • Dual SE 8.25 - 15 drive tires**				
107.5	124.0	Simplex	15000	5/9
119.5	148.0	Simplex	15000	5/9
127.5	163.5	Simplex	15000	5/9
141.0	191.0	Simplex	15000	5/9
157.0	222.5	Simplex	15000	5/9
H80D Capacity (lb) @ 24" load center** • 2.75" x 6" x 48" Std taper Class IV forks** • Dual SE 8.25 - 15 drive tires**				
107.5	124.0	Simplex	17500	5/9
119.5	148.0	Simplex	17500	5/9
127.5	163.5	Simplex	17500	5/9
141.0	191.0	Simplex	17500	5/9
157.0	222.5	Simplex	17500	5/9
H80D-900 Capacity (lb) @ 36" load center** • 2.75" x 8" x 72" Std taper Class IV forks** • Dual SE 8.25 - 15 drive tires**				
107.5	108.5	Simplex	17500	5/9
119.5	132.0	Simplex	17500	5/9
127.5	148.0	Simplex	17500	5/9
141.0	175.5	Simplex	17500	5/9
H80D-1100 Capacity (lb) @ 43" load center** • 2.75" x 8" x 84" Std taper Class IV forks** • Dual SE 315/70 - 15 drive tires**				
107.5	108.5	Simplex	17500	5/9
119.5	132.0	Simplex	17500	5/9
127.5	148.0	Simplex	17500	5/9
141.0	175.5	Simplex	17500	5/9

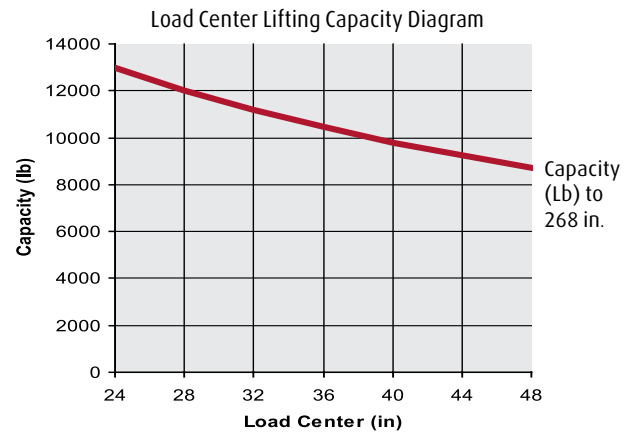
* For quick reference only, contact factory for detailed ratings.

** Capacity ratings can be affected by changing forks, load center, and/or tires.

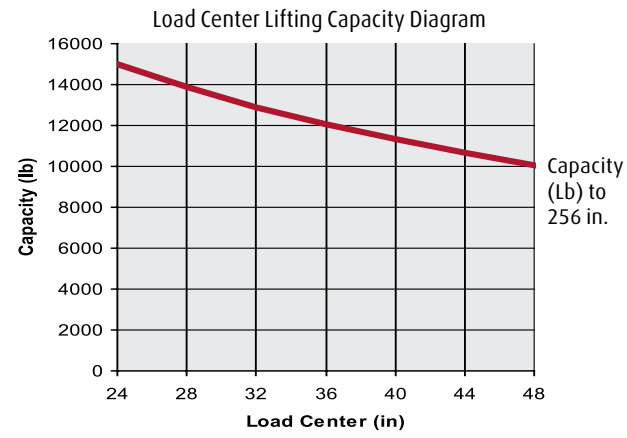
Downrating charts*

Reference SE tires, standard carriage
Class IV forks

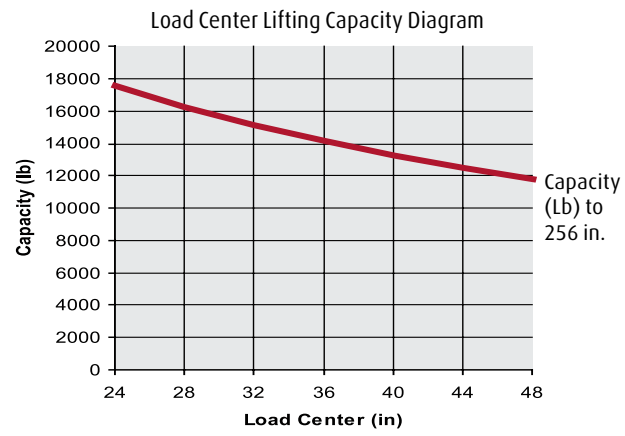
H60D (396-02)



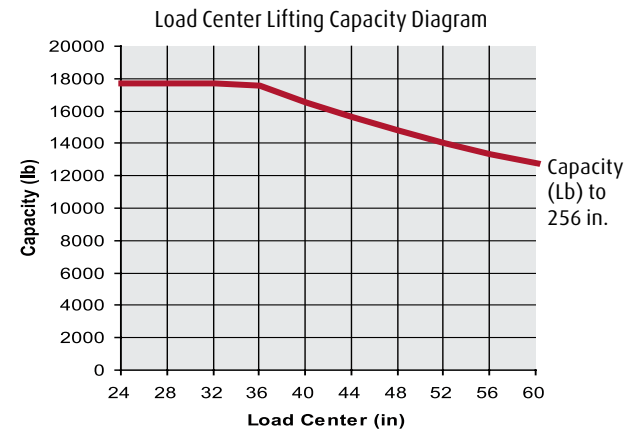
H70D (396-02)



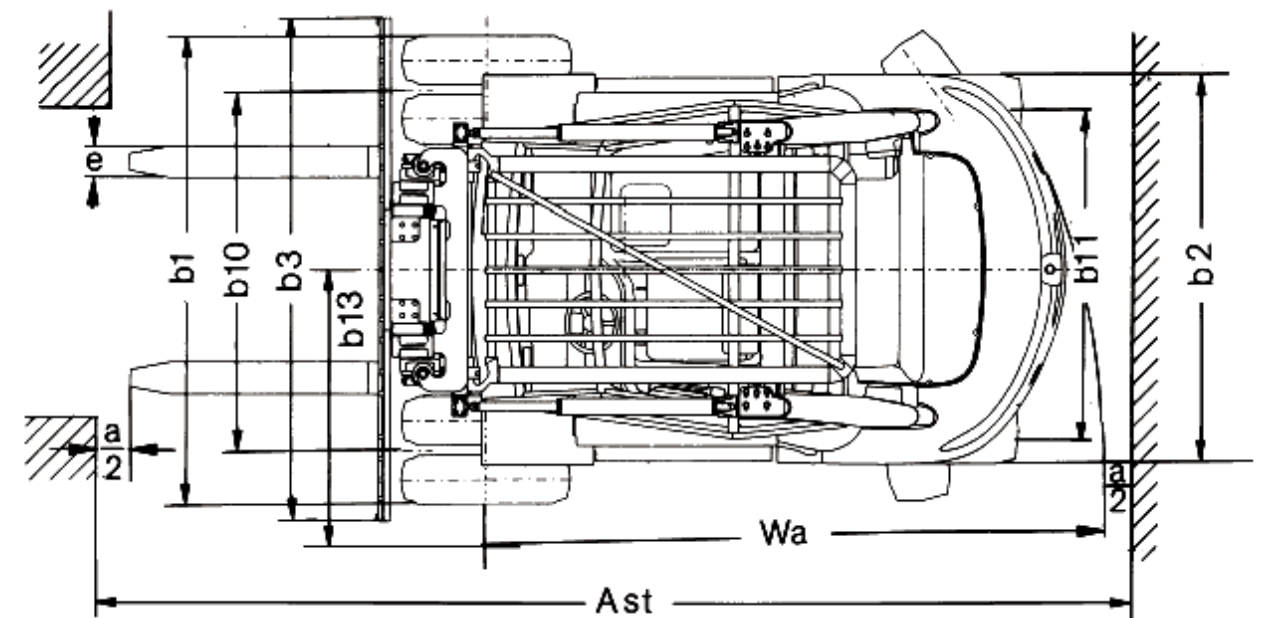
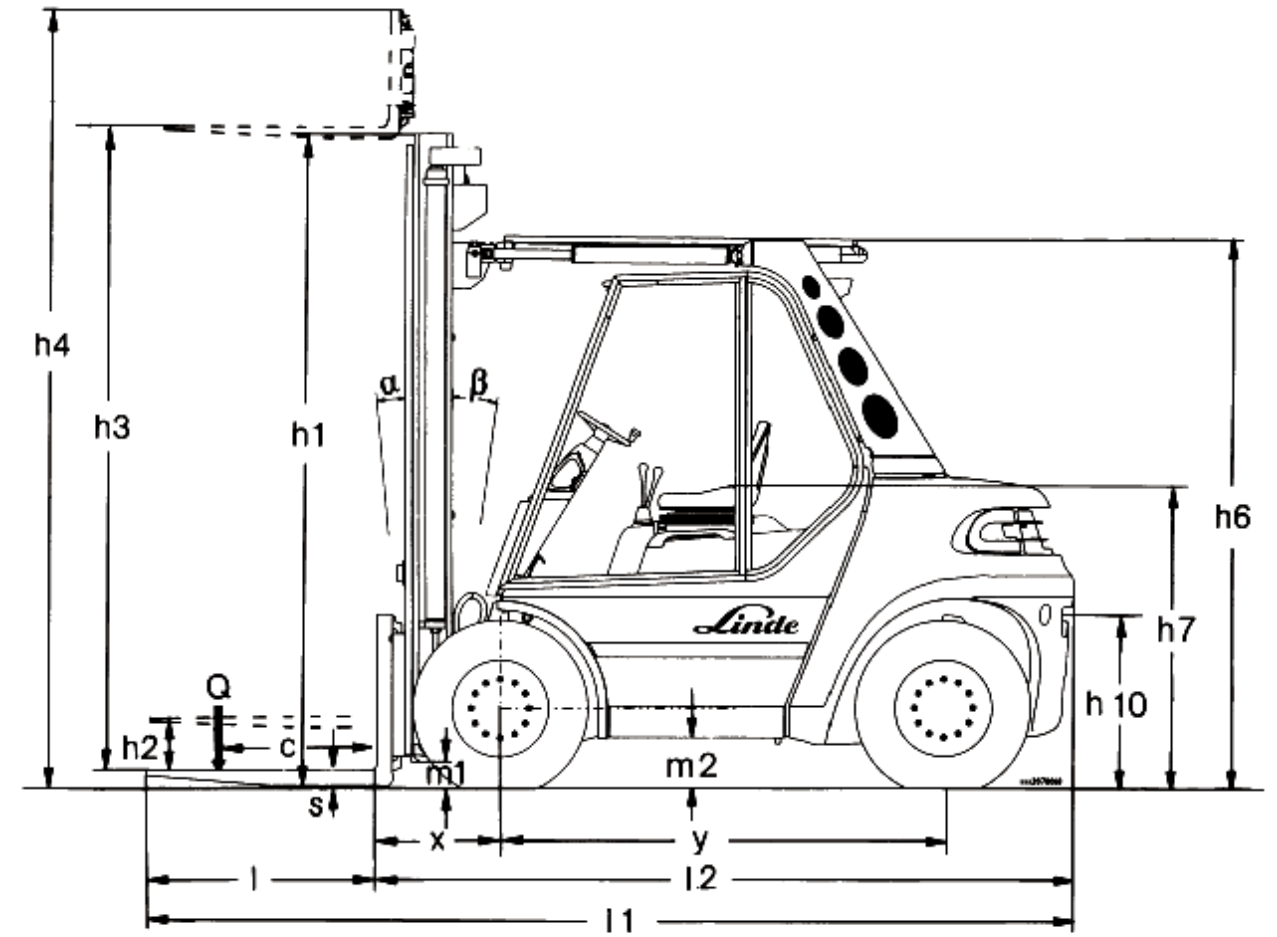
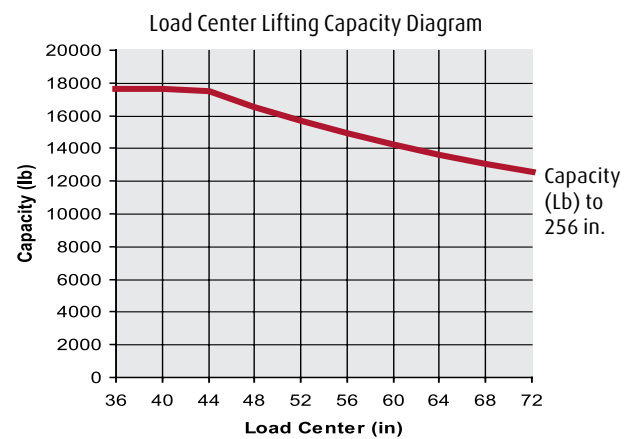
H80D (396-02)



H80D-900 (396-02)



H80D-1100 (396-02)



Technical data

February 2013

SERIES 396-02

Series 396-02 (H60D, H70D, H80D, H80D-900, and H80D-1100)

				Linde	Linde	Linde	Linde	Linde	
Characteristics	1.1	Manufacturer		Linde	Linde	Linde	Linde	Linde	1.1
	1.2	Model designation		H60D	H70D	H80D	H80D-900	H80D-1100	1.2
	1.3	Power unit: battery, diesel, gasoline, LP gas		Diesel	Diesel	Diesel	Diesel	Diesel	1.3
	1.4	Operation: manual, pedestrian, rider standing, rider seated, order picker		Seated	Seated	Seated	Seated	Seated	1.4
	1.5	Load capacity	Q lb	13000	15000	17500	17500	17500	1.5
	1.6	Load center	c in	24	24	24	36	43	1.6
	1.8	Load distance (axle center to fork face)	x in	24.8	25.2	25.2	26.4	26.4	1.8
	1.9	Wheelbase	y in	85	85	85	98.8	110.6	1.9
	Weight	2.1	Service weight	lb	22928	25838	27602	31019	32893
2.2		Axle loading with load, front/rear	lb	31386 / 4494	35381 / 5403	39353 / 5691	43425 / 5029	45174 / 5150	2.2
2.3		Axle loading without load, front/rear	lb	10891 / 12037	11563 / 14275	11772 / 15830	14947 / 16072	16623 / 16270	2.3
Wheels & Tires	3.1	Tire type - front/rear: C (cushion), SE (cushion super elastic), P (pneumatic)		SE	SE	SE	SE	SE	3.1
	3.2	Tire size: front	in	355 / 65-15 ¹⁾	8.25-15 ¹⁾	8.25-15 ¹⁾	8.25-15 ¹⁾	315 / 70-15 ¹⁾	3.2
	3.3	Tire size: rear	in	315/70-15 ¹⁾	315/70-15 ¹⁾	315/70-15 ¹⁾	315/70-15 ¹⁾	315/70-15 ¹⁾	3.3
	3.5	Wheels: number front (x = driven)/rear		2 x / 2	4 x / 2	4 x / 2	4 x / 2	4 x / 2	3.5
	3.6	Track width, front/rear	b10 in	62.75 ²⁾ / 63	68.81 / 63	68.81 / 63	68.81 / 63	69.0 / 63	3.6
	Dimensions	4.1	Mast/fork carriage tilt: forward/ backward (simplex mast)	degrees	5° / 9°	5° / 9°	5° / 9°	5° / 9°	5° / 9°
4.2		Height of mast lowered	h1 in	See mast table	See mast table	See mast table	See mast table	See mast table	4.2
4.3		Free lift	h2 in	See mast table	See mast table	See mast table	See mast table	See mast table	4.3
4.4		Lift	h3 in	See mast table	See mast table	See mast table	See mast table	See mast table	4.4
4.5		Height of mast extended	h4 in	See mast table	See mast table	See mast table	See mast table	See mast table	4.5
4.7		Height of overhead guard/cab	h6 in	108.11	108.11	108.11	108.11	108.11	4.7
4.8		Height of seat	h7 in	59.17	59.17	59.17	59.17	59.17	4.8
4.12		Height of tow coupling	h10 in	33.34	33.34	33.34	33.34	33.34	4.12
4.19		Overall length	l1 in	182.63	183	183	222.8	246.6	4.19
4.20		Length to fork face	l2 in	135.4	135.8	135.8	150.8	162.5	4.20
4.21		Overall width	b1 in	74.5	87.8	87.8	87.8	90.5	4.21
4.22		Fork dimensions	s/e/l in	2.5 / 48 / 6	2.75 / 48 / 6	2.75 / 48 / 8	2.75 / 72 / 8	2.75 / 84 / 8	4.22
4.23		Fork carriage		4	4	4	4	4	4.23
4.24		Width of fork carriage	b3 in	71	86	86	86	86	4.24
4.31		Ground clearance under mast, with load	m1 in	8	8	8	8	8	4.31
4.32		Ground clearance, center of wheelbase	m2 in	9.72	9.72	9.72	9.72	9.72	4.32
4.34	Aisle width (48" long load)	Ast in	201.1	201.5	201.6	213.95	225.4	4.34	
4.35	Outer turning radius	Wa in	120.5	120.5	120.5	131.7	143.1	4.35	
4.36	Inner turning radius	b13 in	38.4	38.4	38.4	38.4	38.4	4.36	
Performance	5.1	Travel speed, with/without load	mph	14.4	14.4	14.4	14.4	14.4	5.1
	5.2	Lifting speed, with/without load	fpm	112 / 114	90 / 106	90.5 / 106.3	90.5 / 106.3	90.5 / 106.3	5.2
	5.3	Lowering speed, with/without load	fpm	110 / 104	110 / 104	110 / 104.3	110 / 104.3	110 / 104.3	5.3
	5.5	Drawbar pull, with/without load	lbs	8542 / 7868	11465 / 10341	10116 / 9217	11290 / 11290	12262 / 12262	5.5
	5.7	Gradeability, with/without load	%	24 / 34	24 / 33	24 / 33	21 / 32	21 / 32	5.7
	5.9	Acceleration time to max. speed, with/without load	s	5.6 / 5	6.1 / 5.5	6.5 / 5.7	6.6 / 5.8	6.7 / 5.9	5.9
5.10	Service brake		Hydrostatic	Hydrostatic	Hydrostatic	Hydrostatic	Hydrostatic	5.10	
IC - Engine	7.1	Engine manufacturer/model		Deutz TCD 4.1 L04	Deutz TCD 4.1 L04	Deutz TCD 4.1 L04	Deutz TCD 4.1 L04	Deutz TCD 4.1 L04	7.1
	7.2	Engine output to ISO 1585	hp	114	114	114	114	114	7.2
	7.3	Rated speed	rpm	2200	2200	2200	2200	2200	7.3
	7.4	Number of cylinders/engine displacement	cu in	4 / 246	4 / 246	4 / 246	4 / 246	4 / 246	7.4
Other	8.1	Drive control		Hydrostatic	Hydrostatic	Hydrostatic	Hydrostatic	Hydrostatic	8.1
	8.2	Working pressure for attachments	psi	3843	3843	3843	3843	3843	8.2
	8.3	Oil flow for attachments	gal/min	25 ³⁾	25 ³⁾	25 ³⁾	25 ³⁾	25 ³⁾	8.3
	8.4	Maximum noise level at driver's ear (to EN 12053)	dBa	76	76	76	76	76	8.4

¹ Other tires optional

² 68.8 with twin tires

³ Less with triplex mast, check factory